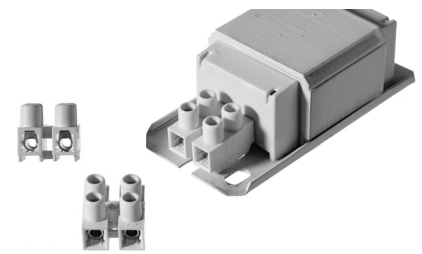


BALLAST CONNECTORS

140 S



Connectors for Conventional Ballasts with Screw Terminals, 1- to 12way

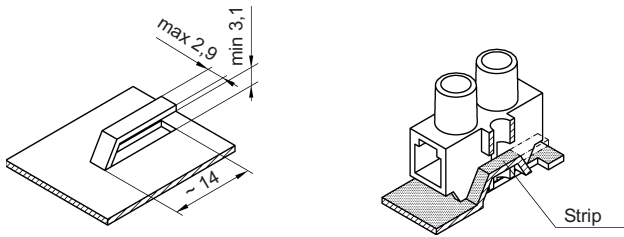
Approvals										
Nominal Cross-Section mm ²	2,5					2,5				
Voltage Rating V	450					400				

Screw Terminals

Screw connection is made to the ballast clips by scratching into their coat. External connection also by screws for conductors of 0.5 - 4.0 mm².

Quick Fixing to a Metal Strip

Connectors type 140 are provided with an opening in the webbing separating the terminals that particularly allows fixing to a strip protruding from the base plate of a conventional ballast.

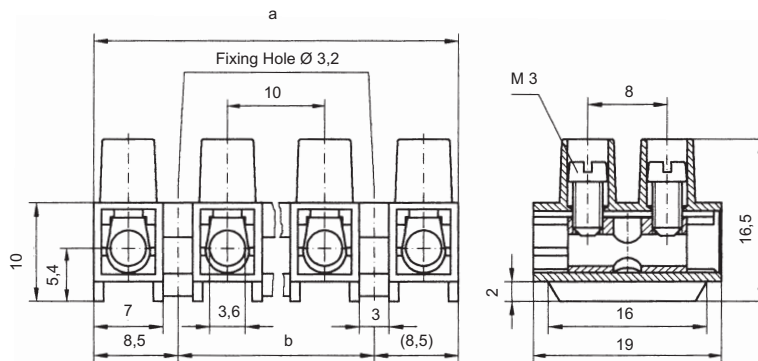


Any Lengths

Apart from the standard version for conventional ballasts (1, 2 and 3way) - any nos. of ways up to including 12way.

Technical Data

- Mouldings: Polyamide 6/6, white
Continuous working temp.: 100° C
Short-time temperature: 160° C
other polyamides upon request
- Inserts: Brass, tinned
- Screws: M 3 x 5.5 mm
Steel, zinc plated, chromed
⌚ max. 0.5 Nm
- Current Rating: to EN 60 598 : 16 A
to EN 60 998 : 24 A
- Maximum Ambient Temp.: T 85 °C
- Conductor Size: up to 4 mm²
- Stripping Length: 6 - 6.5 mm



List No./ No. of Ways	Order No.	Dimensions mm		Kgs. per 100 Pcs.	Packing Unit
		a*	b		
140/ 1 S	13 16 01	7	-	0,25	2500
140/ 2 S	13 16 02	17	-	0,49	1200 / 3000
140/ 3 S	13 16 03	27	10	0,74	800
140/ 4 S	13 16 04	37	20	0,98	500
140/ 5 S	13 16 05	47	30	1,23	400
140/ 6 S	13 16 06	57	40	1,47	400
:	:	:	:	:	:
140/12 S	13 16 12	117	100	2,95	50

* Dimension a does not include webbings. Up to 0.5 mm may be added.

