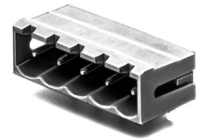


# PLUGGABLE PC CONNECTORS

## GST 860



- Headers
- Pin Spacing 5.00 mm, 2 - 24way
- Pin Spacing 10.00 mm, 2 - 12way

Approvals									
Nominal Cross-Section mm <sup>2</sup>	2,5					2,5	8 amp.	8 amp.	
Voltage Rating* V	250					250	300	300	

\* Kindly note the required creepage and clearance distances between the soldering points at the P.C. board when fitting the connectors.

Headers to make firm solder connection to the printed circuit board. Plug-in connection is made by plug-in connectors GSK 860.

### ■ Headers with and without Side Walls

In addition to the standard version with side walls (VG and HG) for individual assembly, there are also headers without side walls available (VO and HO) that can be interlocked without any loss in space.

### ■ Vertical and horizontal Headers

Vertical (V): Plug-in connectors to be plugged-in from above.

Horizontal (H): Plug-in connectors to be plugged-in from the front.

### ■ Additional Fixing

Headers with catching rib on both sides (VR and HR - standard version upon request) can be screwed down to the printed circuit board by means of a fastening block GSK 860 BF and screw M2.

It is also possible to push latches GSK 860 RH into the catching ribs of headers VR and HR that hook behind the plugged-in plug-in connectors so that additional support is provided.

### ■ Technical Data

Mouldings: PBT, GV 30, blue  
 Continuous working temp.: 120 °C  
 Short-time temperature: 200 °C  
 Flammability to UL 94: V0

Solder Pins:  1 mm, brass, tinned

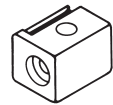
Current Rating: to EN 60 998 : 24 A  
 to EN 61 984 : 12 A at T 60 °C

Upper Limit Temp.: to EN 61 984 : 105 °C

Mounting Hole: 1.4 mm

#### Fastening Block

GSK 860 BF  
 Order No. 39 80 20

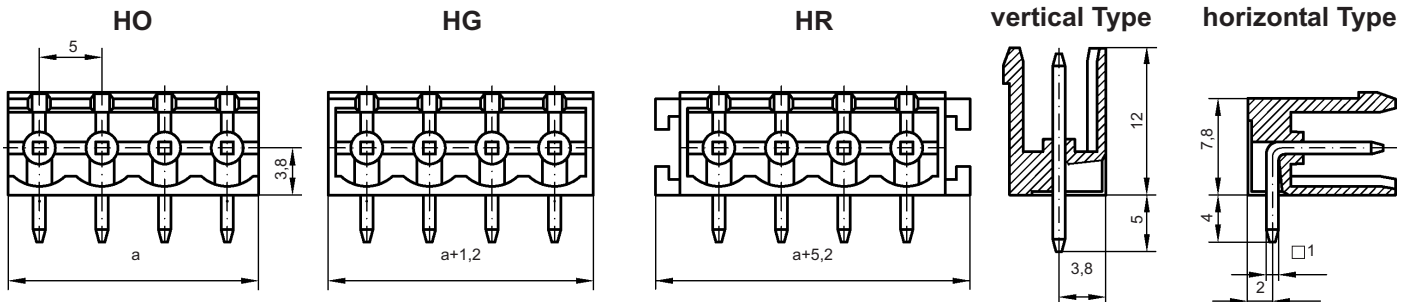
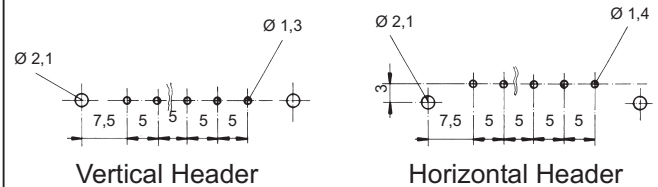


#### Latches

GSK 860 RH  
 Order No. 39 80 30



#### Hole pattern for fastening block



#### Headers 5 mm (10 mm - upon request)

without Side Walls		HO - horizontal		with Side Walls		HG - horizontal		Dimension a mm
VO - vertical				VG - vertical				
List No./ No. of Ways	Order No.	List No./ No. of Ways	Order No.	List No./ No. of Ways	Order No.	List No./ No. of Ways	Order No.	
GST 860 VO/ 2	36 80 02	GST 860 HO/ 2	36 85 02	GST 860 VG/ 2	36 81 02	GST 860 HG/ 2	36 86 02	10
GST 860 VO/ 3	36 80 03	GST 860 HO/ 3	36 85 03	GST 860 VG/ 3	36 81 03	GST 860 HG/ 3	36 86 03	15
:	:	:	:	:	:	:	:	P x 5
GST 860 VO/24	36 80 24	GST 860 HO/24	36 85 24	GST 860 VG/24	36 81 24	GST 860 HG/24	36 86 24	120

For packing units please see price list.



# GST 860