

PORCELAIN CONNECTORS 157



2 and 3way with and without Wire Protector

Approvals					
Nominal Cross-Section mm ²	2,5				
Voltage Rating V	400				

Technical Data

Formers: Porcelain C 111 EN 60 672, white outer surface glazed (except ground surface)

Inserts: Brass, tinned

Captive Screws: M 3 x 6 mm
Steel, zinc plated, chromed
⌀ max. 0.5 Nm

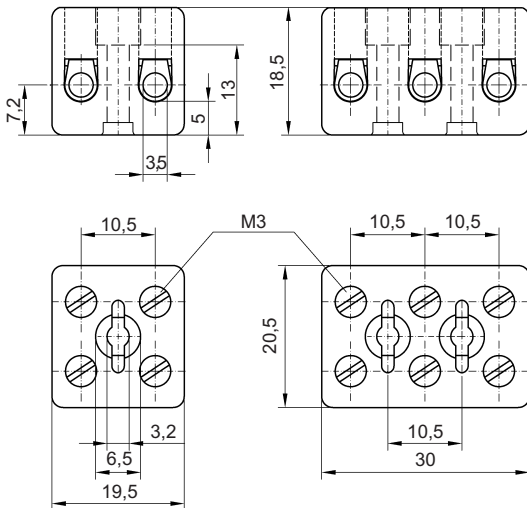
Wire Protectors: Stainless spring steel

Continuous Working Temp.: Formers: 1000° C
Contacts: 350° C

Current Rating: to EN 60 598 : 16 A
to EN 60 998 : 24 A

Conductor Size: without wire protector = up to 6 mm²
with wire protector = up to 2.5 mm²

Stripping Length: 7 - 7.5 mm



PORCELAIN CONNECTORS 153



2way with and without Wire Protector

Approvals					
Nominal Cross-Section mm ²	2,5				
Voltage Rating V	380				

Technical Data

Formers: Porcelain C 111 EN 60 672, white outer surface glazed (except ground surface)

Inserts: Brass, tinned

Captive Screws: M 3 x 6 mm
Steel, zinc plated, chromed
⌀ max. 0.5 Nm

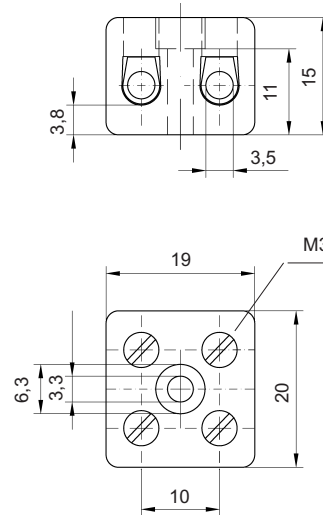
Wire Protectors: Stainless spring steel

Continuous Working Temp.: Formers: 1000° C
Contacts: 350° C

Current Rating: to EN 60 598 : 16 A
to EN 60 998 : 24 A

Conductor Size: without wire protector = up to 6 mm²
with wire protector = up to 2.5 mm²

Stripping Length: 7 - 7.5 mm



157, without Wire Protector			157 DS, with Wire Protector		
List No./ No.of Ways	Order No.	Kgs. per 100 Pcs.	List No./ No.of Ways	Order No.	Kgs. per 100 Pcs.
157/2	41 22 02	1,63	157/2 DS	41 23 02	1,65
157/3	41 22 03	2,55	157/3 DS	41 23 03	2,58

153, without Wire Protector			153 DS, with Wire Protector		
List No./ No.of Ways	Order No.	Kgs. per 100 Pcs.	List No./ No.of Ways	Order No.	Kgs. per 100 Pcs.
153/2	41 26 02	1,29	153/2 DS	41 27 02	1,33

For packing units please see price list.